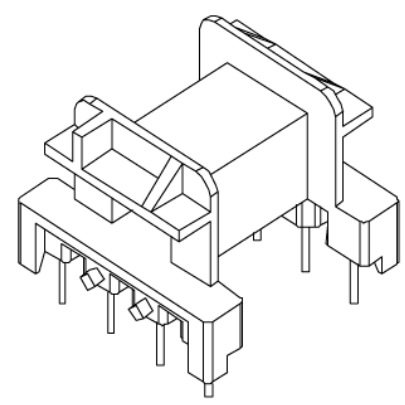
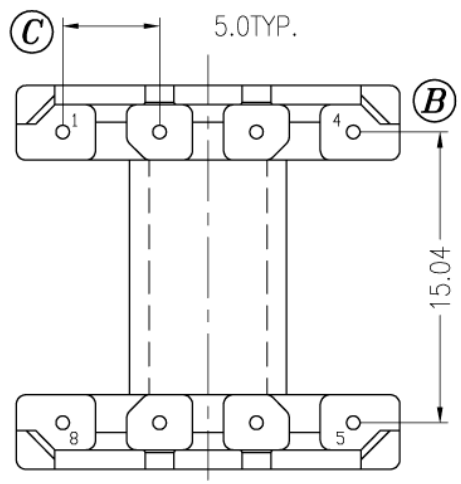
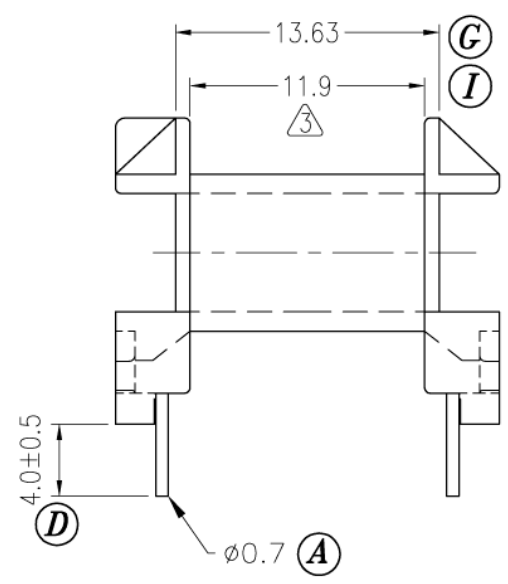
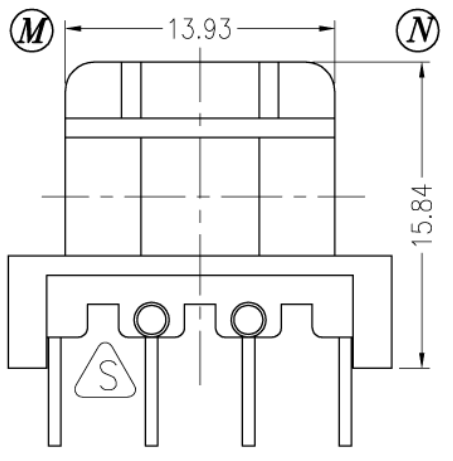


SEC.A-A



REV.	REVISIONS REC.	DATE	REV.	REVISIONS REC.	DATE
1	△ SHAPE MODIFIED	'03.12.18			
2	CANCEL (P),(O); UPDATE DRAWING	'05.04.23			
3	DIMENSION (I)12.1mm-->11.9mm	'05.06.06			

DRAWN & DRAFTED BY TONY DENG	TOLERANCES		ANGLE: ±1°	TITLE: T-H BOBBIN EF-20H	
	0<L≤4 ±0.1	pin pitch ±0.2	UNIT: MM	BOBBIN MATERIAL: PHENOLIC T375J	UL REC. UL 94V-0
CHECKED & APPROVED BY JOHN RONG	4<L≤16 ±0.2		ORIGIN: DG	PIN MATERIAL: CP WIRE	PIN TENSION LOAD: 1.5KG MIN
LEPCOS (NWL) <a href="http://ferrite.ru">http://ferrite.ru</a> Pin Shine Industrial Co bobbin			DATE: APR.04 '2003	DRAWING NO. P-2012	REV. 3