

300mA High PSRR LDO Regulators

Features

- Low, 90 μ A No-Load Supply Current
- Guaranteed 300mA Output Current
- Dropout Voltage is 200mV @ 150mA Load
- PSRR=65dB @ 120Hz
- Over-Temperature Protection and Short-Circuit Protection
- Two Modes of Operation ----
 Fixed Mode: 1.50V~5.00V
 Adjustable Mode: from 1.25V to 5.50V
- Max. Supply Current in Shutdown Mode < 1 μ A
- Low Output Noise at 238 μ V_{RMS}
- Stable with low cost ceramic capacitors

Applications

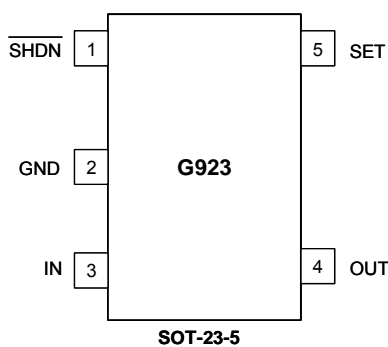
- Notebook Computers
- Cellular Phones
- PDAs
- Digital still Camera and Video Recorders
- Hand-Held Devices
- Audio Codec

General Description

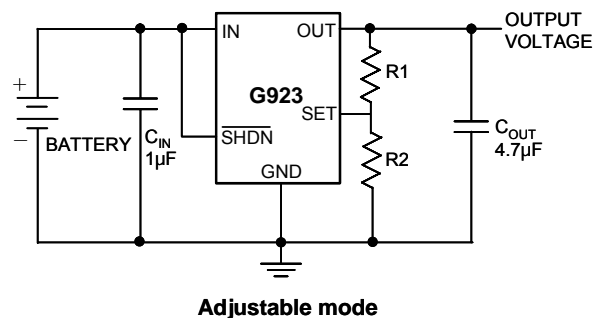
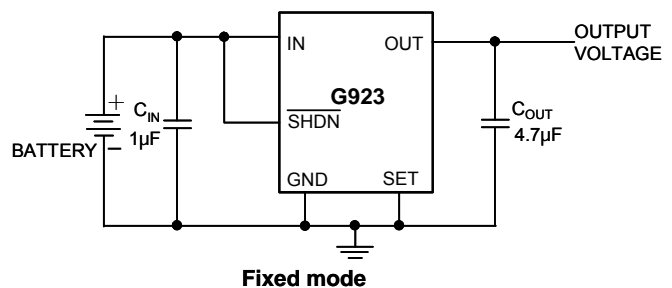
The G923 is a low supply current, high PSRR, and low dropout linear regulator that comes in a space saving SOT-23-5 package. The supply current at no-load is 90 μ A. In the shutdown mode, the maximum supply current is less than 1 μ A. Operating voltage range of the G923 is from 2.50V to 5.50V. The over-current protection limit is set at 550mA typical. An over-temperature protection circuit is built-in in the G923 to prevent thermal overload. These power saving features make the G923 ideal for use in the battery-powered applications such as notebook computers, cellular phones, and PDA's.

The G923 has two modes of operation. When the SET pin is connected to ground, its output is a pre-set value: 1.50V~5.00V. There is no external component needed to decide the output voltage. When an output other than the preset value is needed, two external resistors should be used as a voltage divider. The output voltage is then decided by the resistor ratio. The G923 comes in a space saving SOT-23-5 package.

Pin Configuration



Typical Application Circuit



**Ordering Information**

| ORDER NUMBER (Pb free/Green) | MARKING | VOLTAGE | TEMP. RANGE | PACKAGE |
|---------------------------------|---------|---------|--------------|----------|
| G923-330T1Uf | 92AUx | 3.30V | -40°C~ +85°C | SOT-23-5 |

For other output voltage, please contact us at sales@gmt.com.tw

Note: T1: SOT-23-5

U: Tape & Reel

Selector Guide

| ORDER NUMBER (Pb free/Green) | OUTPUT VOLTAGE (V) | MARKING |
|---------------------------------|-----------------------|---------|
| G923-150T1Uf | 1.50 | 92AAx |
| G923-160T1Uf | 1.60 | 92ABx |
| G923-170T1Uf | 1.70 | 92ACx |
| G923-180T1Uf | 1.80 | 92ADx |
| G923-190T1Uf | 1.90 | 92AEx |
| G923-200T1Uf | 2.00 | 92AFx |
| G923-210T1Uf | 2.10 | 92AGx |
| G923-220T1Uf | 2.20 | 92AHx |
| G923-230T1Uf | 2.30 | 92Aix |
| G923-240T1Uf | 2.40 | 92AJx |
| G923-250T1Uf | 2.50 | 92AKx |
| G923-260T1Uf | 2.60 | 92ALx |
| G923-270T1Uf | 2.70 | 92AMx |
| G923-280T1Uf | 2.80 | 92ANx |
| G923-285T1Uf | 2.85 | 92AOx |
| G923-290T1Uf | 2.90 | 92APx |
| G923-300T1Uf | 3.00 | 92AQx |
| G923-310T1Uf | 3.10 | 92ARx |
| G923-315T1Uf | 3.15 | 92ASx |
| G923-320T1Uf | 3.20 | 92ATx |
| G923-330T1Uf | 3.30 | 92AUx |
| G923-340T1Uf | 3.40 | 92AVx |
| G923-350T1Uf | 3.50 | 92AWx |
| G923-360T1Uf | 3.60 | 92AXx |
| G923-370T1Uf | 3.70 | 92AYx |
| G923-380T1Uf | 3.80 | 92AZx |
| G923-390T1Uf | 3.90 | 92BAx |
| G923-400T1Uf | 4.00 | 92BBx |
| G923-410T1Uf | 4.10 | 92BCx |
| G923-420T1Uf | 4.20 | 92BDx |
| G923-430T1Uf | 4.30 | 92BEx |
| G923-440T1Uf | 4.40 | 92BFx |
| G923-450T1Uf | 4.50 | 92BGx |
| G923-460T1Uf | 4.60 | 92BHx |
| G923-470T1Uf | 4.70 | 92Bix |
| G923-475T1Uf | 4.75 | 92BJx |
| G923-480T1Uf | 4.80 | 92BKx |
| G923-490T1Uf | 4.90 | 92BLx |
| G923-500T1Uf | 5.00 | 92BMx |